

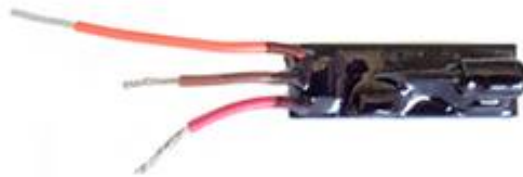


KM Series Microtimer with Fixed Timing

*ICS, A Unit of QCsircuits Inc.
Rolling Meadows, Illinois*

Phone 847-797-6678
sales@ics-timers.com
www.ics-timers.com

The **ICS KM Series Fixed-Time Delay Microtimer** is designed to provide standard time delay actions, operate on commonly available voltages and to fit where space is limited. A generous selection of standard and custom time ranges and voltage options make this timer quite versatile. With output current capability up to 200mA, it is suitable for controlling many of today's readily available relays.



KM Series Microtimer

- Low Cost, Quantity Pricing
- Simple Wiring Connections
- AC Models 24, 120 and 240 VAC
- DC Models 12, 24 and 36 VDC
- Compact Size
- Custom Timing and Voltages
- Wide Range of Timing Options
- Custom Timing Actions Offered

Features

- Available Functions: ON Delay, OFF Delay, INTERVAL, RECYCLE or ARBITRARY.
- Timing available from 0.5 seconds to hours.
- Special timing and operating voltages available.
- Conformal coating for protection against contaminants.
- Combines low-cost and miniature size.
- Adjustable time ranges available in the KA Adjustable Series.

KM Series Microtimer Specifications

- **Range of Fixed Timing Values:**

0.5 seconds to hours.

- **Timing Adjustment:**

Fixed - Set at factory.

- **Timing Accuracy:**

±1% ±50msec at 25°C.

±5% ±50msec from -20°C to +55°C.

- **Repeatability:**

±0.5% at constant ambient temperature.

- **Operating Voltage Range:**

85% to 110% of rated voltage.

85% to 125% of rated voltage for 12VDC units.

- **Temperature Range:**

-20°C to +55°C operating.

-40°C to +85°C storage.

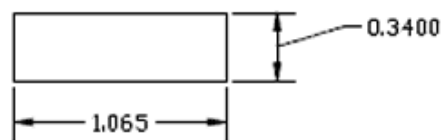
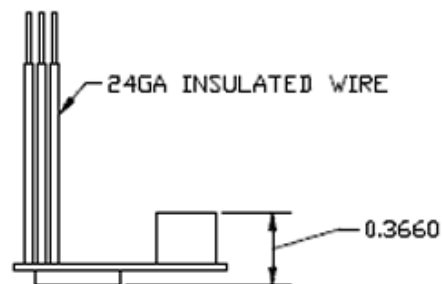
- **Load Current Rating:**

200mADC resistive or inductive (DC Models).

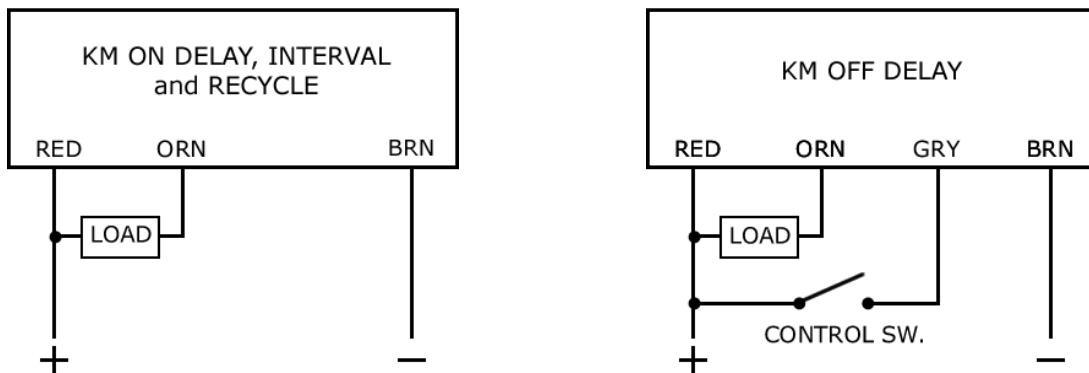
200mARMS resistive or inductive (AC Models).

- **Maximum Overall Size (less leads):**

All Models: 1.065"L x 0.340"W x 0.366" Thick.



KM SERIES MAXIMUM OVERALL DIMENSIONS



Note: LOAD and CONTROL SWITCH are customer-supplied.

Selecting KA Series Microtimer Part Numbers. Get Action, Range and Voltage from the chart below and plug those values in as in the example.

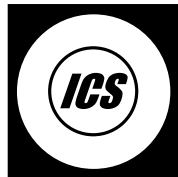
Table 1. Part Number Selection

Timer Action:	(1) - ON Delay (2) - OFF Delay (3) - INTERVAL (5) - RECYCLE (SYMMETRICAL) (6) - RECYCLE (ASYMMETRICAL) (7) - ARBITRARY	
Timer Range:	Standard Timing: (A) - 1 SEC. (B) - 3 SEC. (C) - 5 SEC. (D) - 10 SEC. (E) - 30 SEC. (F) - 60 SEC. (G) - 120 SEC. (H) - 10 MIN. (J) - 30-MIN.	Nonstandard Timing: (0) - *Special *Customer defined
Input Voltage: (AC or DC)	Standard Voltage: (1) 120 VAC (2) 24 VAC (4) 24 VDC (5) 240 VAC (8) 12 VDC (9) 36 VDC	Nonstandard Voltage: (0) - *Special *Customer defined
Order Code Example: KM2C1 KM = KM Series Microtimer (2) = Timer Action = OFF Delay (C) = Timer Range = 5 Seconds (1) = Input Voltage = 120 VAC		

***Options:** Fixed and Special Time ranges from .5 seconds to hours.

***Note: Action 5 timers have equal OFF and ON times (symmetrical).**

SPECIAL Actions and Voltages are customer-defined.



ICS, A Unit of QCircuits Inc.
2775 Algonquin Road Suite 300
Rolling Meadows, Illinois 60008
TEL: 847-797-6678
FAX: 847-797-7418

www.ics-timers.com

**Call 847-797-6678 or Submit an RFQ at www.ics-timers.com
to request pricing and delivery.**